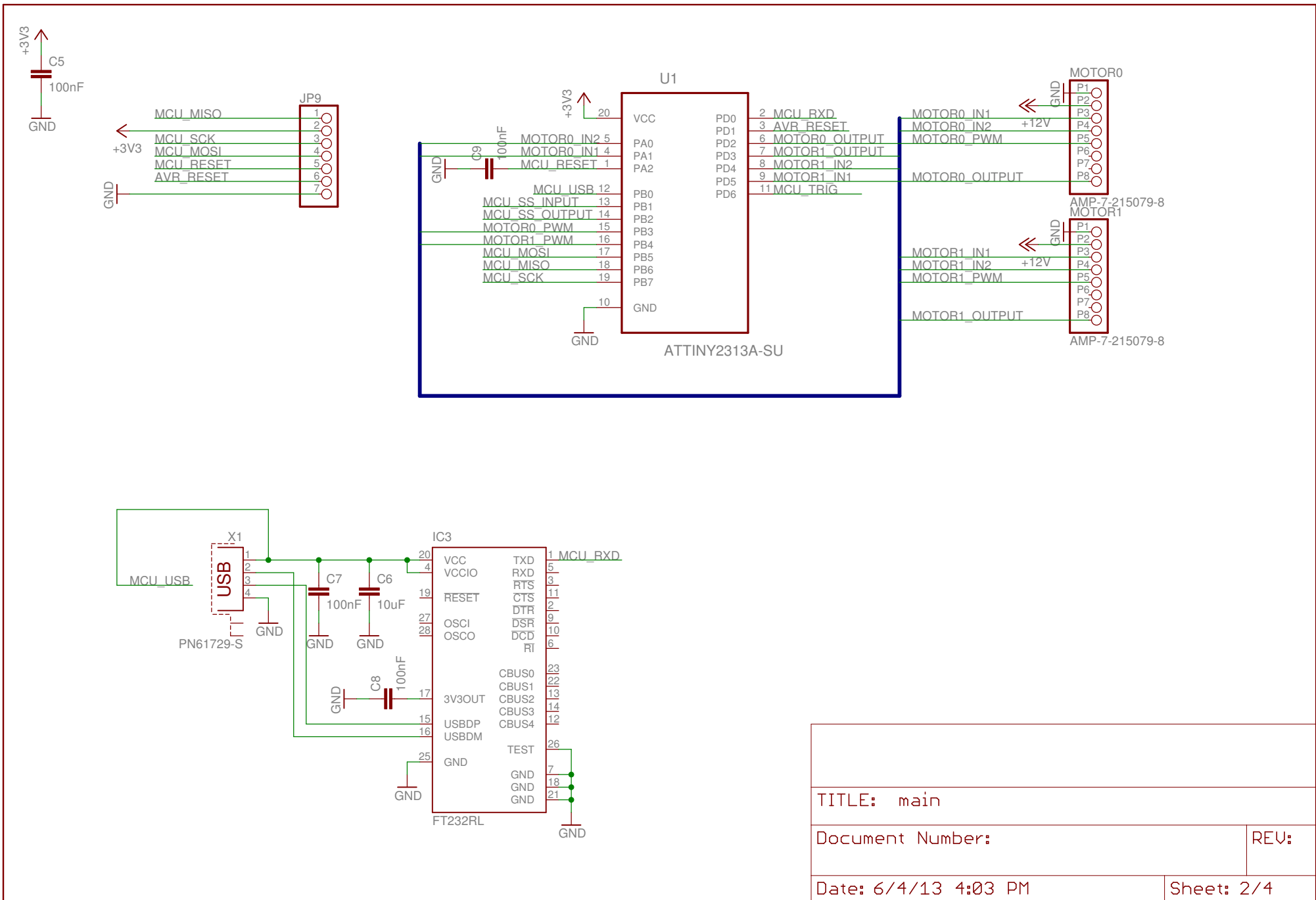


TITLE: main	
Document Number:	REV:
Date: 6/4/13 4:03 PM	Sheet: 1/4



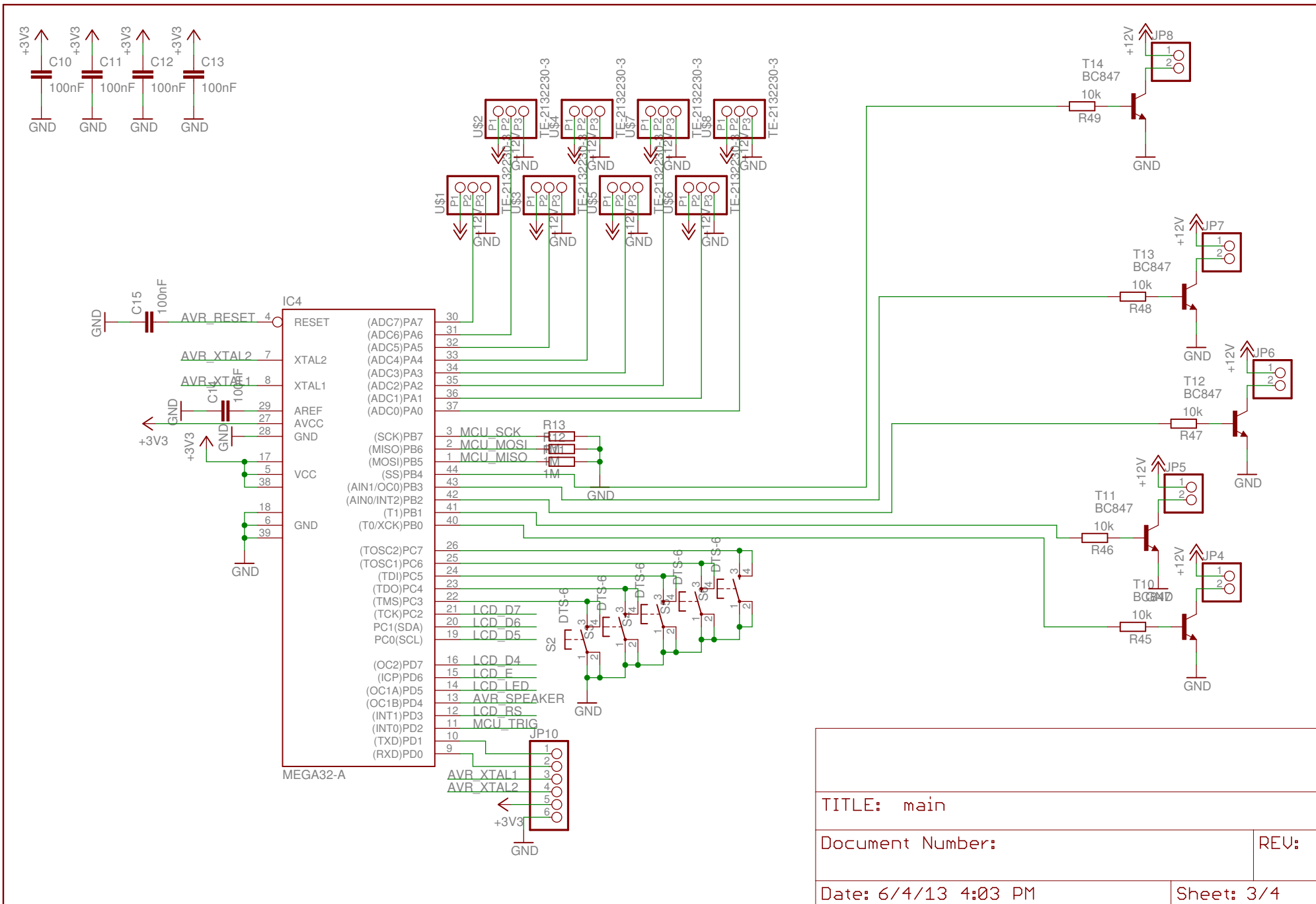
TITLE: main

Document Number:

REV:

Date: 6/4/13 4:03 PM

Sheet: 2/4



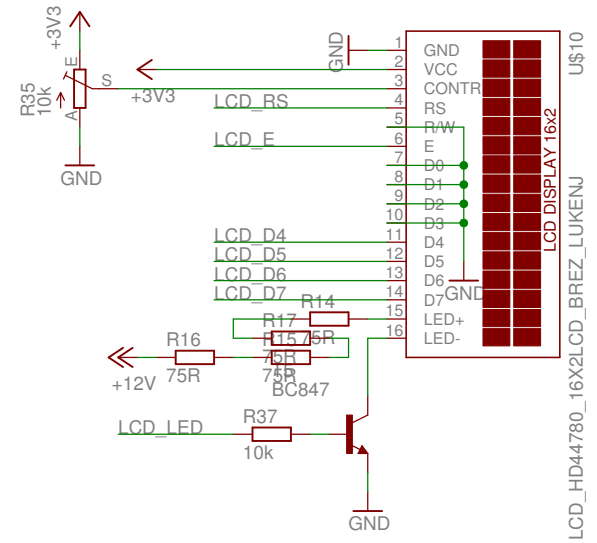
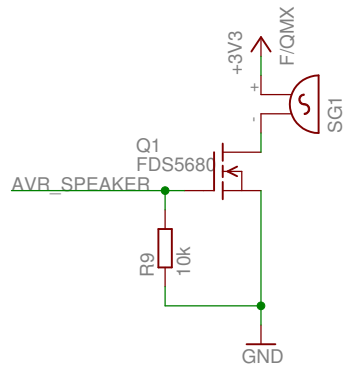
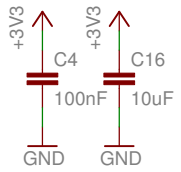
TITLE: main

Document Number:

REU:

Date: 6/4/13 4:03 PM

Sheet: 3/4



TITLE: main

Document Number:

REV:

Date: 6/4/13 4:03 PM

Sheet: 4/4